

## 1. Design Purpose and Safe Operation.

This product is designed to provide a method for reducing the overall height of Stockmaster Navigator and Stockmaster Tracker mobile platform ladders to enhance passing under overhead obstructions. Typical situations include passing through doorways or under other overhead fixtures such as lighting or pipework.

## 2. Operating the Fold Down Rails

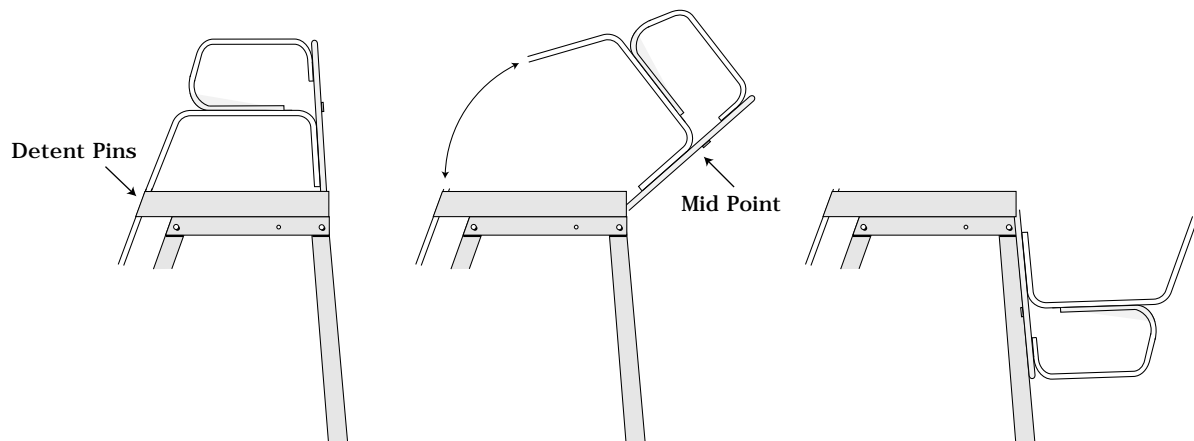
DO NOT ATTEMPT TO LOWER OR RAISE THE SAFETY RAILS FROM THE PLATFORM.

- To lower the rails stand in front of the ladder and remove the Detent Pins at the front of the platform Kick Rails by pulling on the attached rings. **If the Detent Pins cannot be reached when standing on the ground a suitably sized secondary ladder or platform must be used to enable safe removal.** With the Detent Pins removed pull up on the Safety Rails and disengage them from the platform Kick Rail housings.

**Stand to the side of the ladder** at the rear of the platform. Take hold of the Safety Rails at the mid-point and pull to the rear allowing the front of the rails to raise up through an arc. Continue to hold the rails and complete the rotation allowing the rails to come to rest against the Rear Frame of the ladder. **If the mid point of the Safety Rails cannot be reached when standing on the ground a suitably sized secondary ladder or platform must be used to enable safe operation.**

- To raise the rails stand to the side at the rear of the platform. Take hold of the Safety Rails at the mid point and raise them up. Continue to hold the rails and rotate them until they come to rest against the platform Kick Rail housings. **If the mid point of the Safety Rails cannot be reached when standing on the ground a suitably sized secondary ladder or platform must be used to enable safe operation.**

Move to the front of the ladder and engage the Safety Rails in the platform Kick Rail housings. Engage the two Detent Pins through the holes in the housings and **ensure they are locked in place before mounting the platform.** **If the Detent Pins cannot be reached when standing on the ground a suitably sized secondary ladder or platform must be used to enable safe engagement.**



## 3. Assembly

### General Assembly

Instructions for assembly are provided in graphic form. These must be followed to ensure correct assembly and safe working of the product. They also provide the simplest method for assembly. If you are unsure of any of the instructions, please consult your dealer. Note: Any defect arising as a result of incorrect assembly will not be covered under your product warranty. A listing of dealers is available separately or may be obtained from the StockMaster website at [www.stockmaster.co](http://www.stockmaster.co)

DO NOT STAND ON THE STOCKMASTER PLATFORM TO ASSEMBLE THIS PRODUCT.

If the assembly can not be performed when standing on the ground a suitably sized secondary ladder or platform must be used to enable safe assembly. Alternatively the unit may be placed on its side and stood up on completion of the assembly.

## 4. Checking and Testing

On completion of the assembly and BEFORE INITIAL USE, do the following:

- Check that there are no loose fastenings. (bolts and nuts)
- Check that the Detent Pins engage and lock firmly to the platform Kick Rail housings.
- Check that the Safety Rails rotate freely from the raised to the lowered position.

## 5. Maintenance

When correctly assembled, little maintenance is required. It is however advisable to periodically check that all fastenings in the structure remain tight, and the assembly keys should be retained for this purpose.